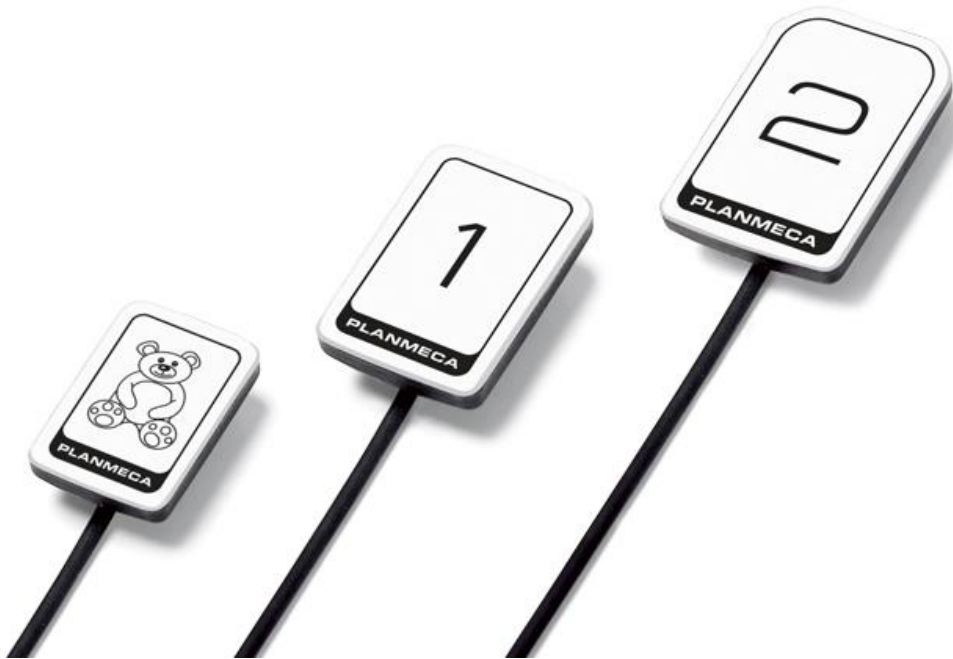


## Planmeca ProSensor HD intraoral sensor



### 1. Main features

- Advanced imaging sensor with fibre optic layer captures sharp images with high contrast and low noise
- Theoretical resolution 33lp/mm, true resolution >20 lp/mm
- Wide dynamic range
- Three sensor sizes with rounded edges
- White housing for easier positioning
- Magnetic connector for ease of use
- Colour-coded LED light on control box for instant visual feedback
- Hermetically sealed housing ensures effective infection control
- Integrates with Planmeca ProX™ X-ray unit
- Fully compatible with Windows and Mac OS
- Plug and play USB version
- Integrated calibration for instant switch between operators

# SPECIFICATION

## 2. Technical specification

### 2.1 Sensor

**Sensor type** CMOS with scintillator

**Pixel size** 15  $\mu\text{m}$  x 15  $\mu\text{m}$

#### Sensor dimensions

##### Size 0

overall 33.6 x 23.4 x 7.1\* mm (1.33 x 0.92 x 0.28 in.)  
active area 25.5 x 18.9 mm (1.00 x 0.74 in.)  
pixel matrix 1700 x 1258  
number of pixels 2.14 M

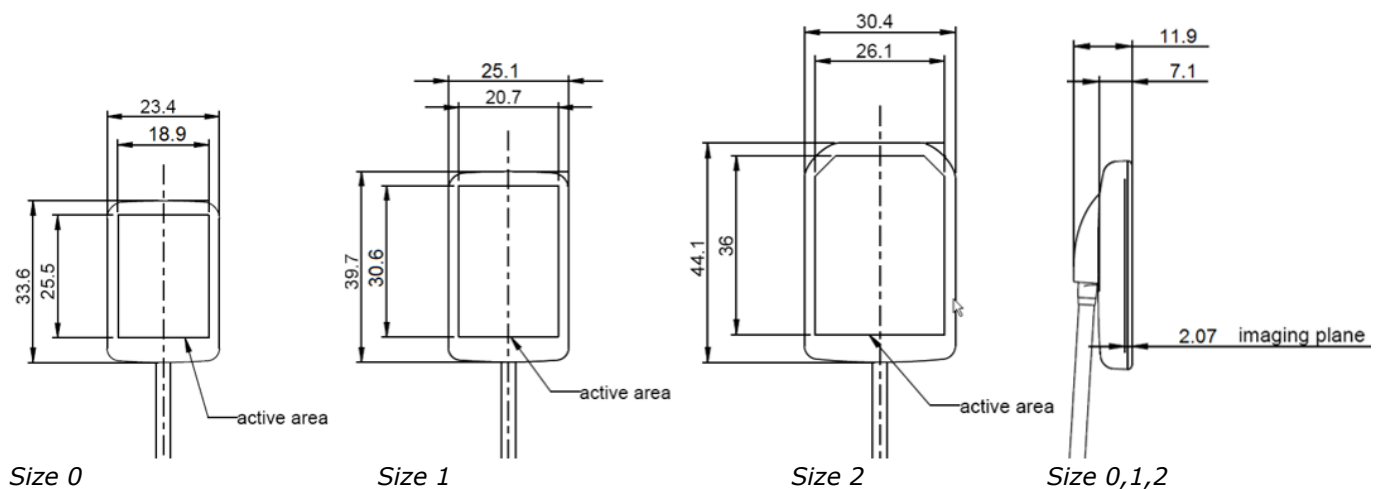
##### Size 1

overall 39.7 x 25.1 x 7.1\* mm (1.56 x 0.99 x 0.28 in.)  
active area 30.6 x 20.7 (1.20 x 0.81 in.)  
pixel matrix 2040 x 1380  
number of pixels 2.82 M

##### Size 2

overall 44.1 x 30.4 x 7.1\* mm (1.74 x 1.2 x 0.28 in.)  
active area 36 x 26.1 mm (1.42 x 1.03 in.)  
pixel matrix 2400 x 1740  
number of pixels 4.18 M

\*thickness without the cable



# SPECIFICATION

## **Image sizes**

<i>Size 0</i>	850 x 629 (0.5 MP)/ 1700 x 1258 (2.13 M)
<i>Size 1</i>	1020 x 690 (0.7 MP)/ 2040 x 1380 (2.82 M)
<i>Size 2</i>	1200 x 870 (1.0 MP)/ 2400 x 1740 (4.18 M)

## **Image format**

16-bit

## **View delay**

~5 sec.

## **Resolution**

Normal	17 lp/mm
High	> 20 lp/mm

## **Theoretical resolution**

33 lp/mm

## **Cable length**

1.0 m (39.4 in.) or 2.0 m (78.7 in.)

## **Expected service life**

10 years / 100 000 exposure cycles

# SPECIFICATION

## 2.2 Ethernet ControlBox

**Dimensions** 112 x 46 x 24 mm (4.41 x 1.81 x 0.94 in.)

**Power input** 48 V DC 65 mA

### Cables

ControlBox to PoE RJ45 10m OR 15m

PoE to LAN RJ45 10m OR 15m

### PoE power supply

Phihong Single Port Injector  
Type

Input voltage	PSA16U-480 (POE)	POE15M-1AF/POE15M-1AFE-R
Output voltage	100-240 VAC (50-60 Hz)	100-240 VAC (50-60 Hz)
Max. output current	48 VDC	56 VDC
Insulation voltage primary-secondary	0.35 A	0.275 A
	3000 VAC	3000 VDC

## 2.3 USB ControlBox

**Dimensions** 112 x 46 x 24 mm (4.41 x 1.81 x 0.94 in.)

**Cables** Fixed USB 2.0 power supply cable 2 or 5m (6.6 or 16.4 ft)

**Power input** 2.5 W